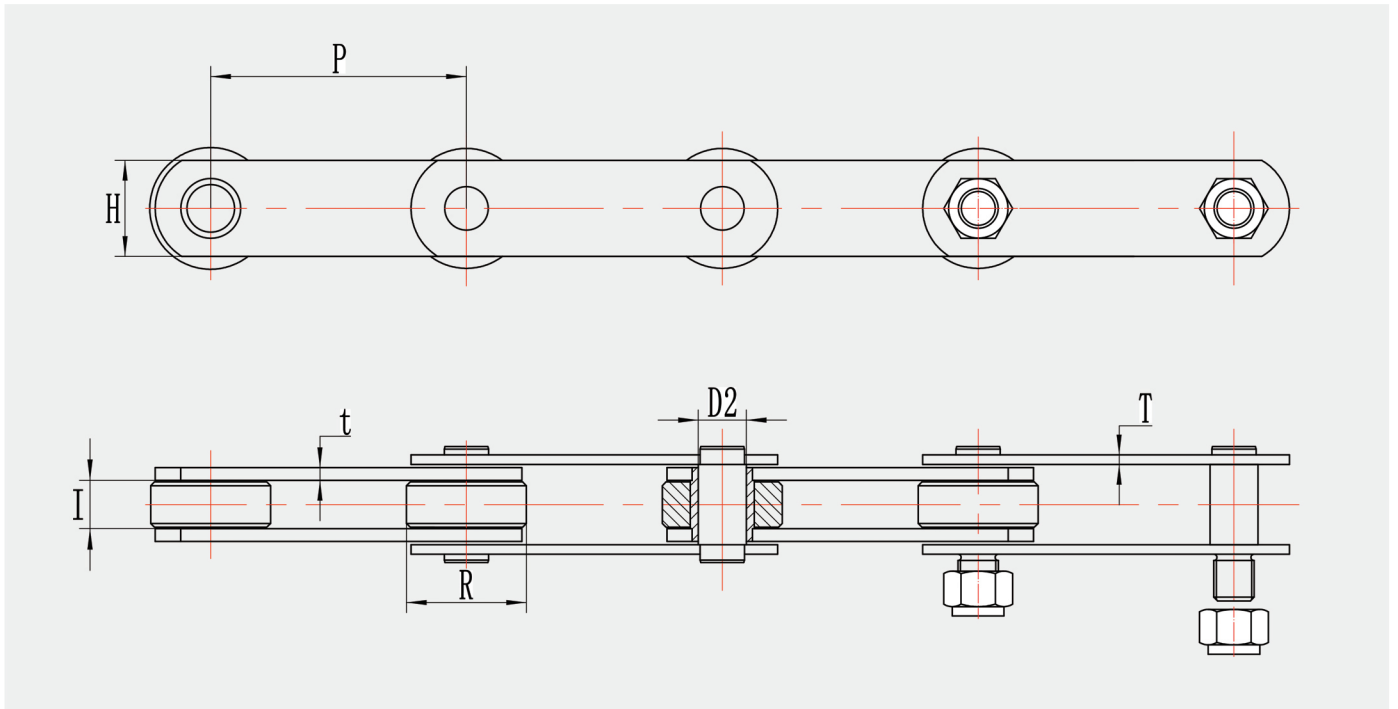
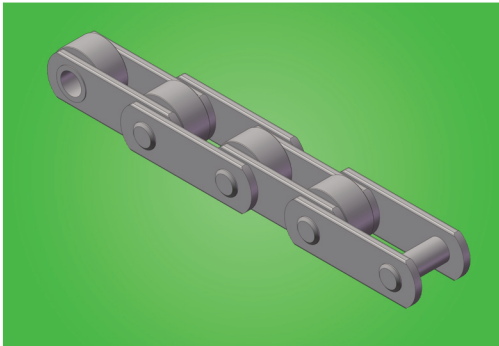




Palm Oil Chain

Solid Pin Chain



MTD No	Pitch*		Breaking Load* (lbf)	Roller Dia*	Inner Width*	Plate Depth*	Plate Thickness*		Pin Dia* (mm)	
	P			(mm)	(mm)	(mm)	t	T	D1	D2
	inch	mm		R	I	H				
MTD117-2in7500lb	2	50.8	7500	31.75	15.24	25.4	4	4	19.05	/
MTD117-3in7500lb	3	76.2	7500	31.75	15.24	25.4	4	4	19.05	/
MTD117-4in7500lb	4	101.6	7500	31.75	15.24	25.4	4	4	19.05	/
MTD117-6in7500lb	6	152.4	7500	31.75	15.24	25.4	4	4	19.05	/
MTD118-3in15000lb	3	76.2	15000	47.63	19.16	38.1	5.1	3.81	25.4	/
MTD118-4in15000lb	4	101.6	15000	47.63	19.16	38.1	5.1	3.81	25.4	/
MTD118-6in15000lb	6	152.4	15000	47.63	19.16	38.1	5.1	3.81	25.4	/