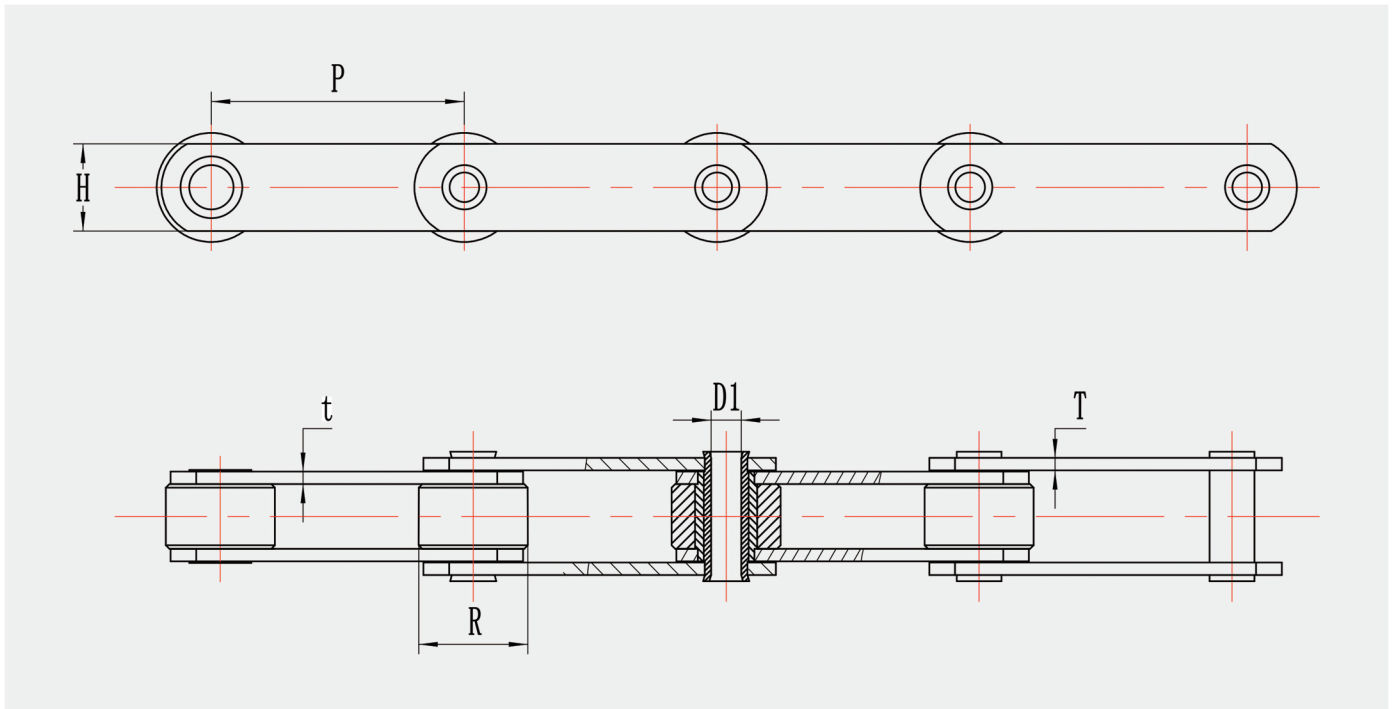
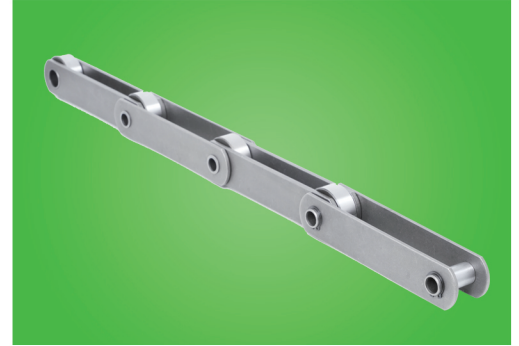
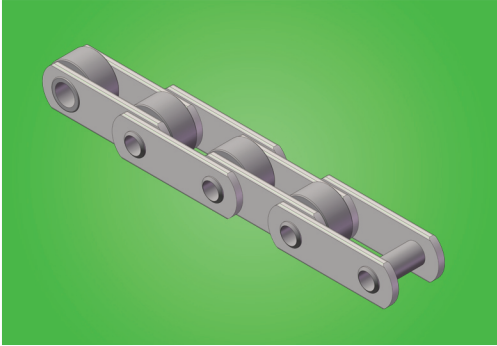




Palm Oil Chain

Hollow Pin Chain



MTD No	Pitch*		Breaking Load* (lbf)	Roller Dia*	Inner Width*	Plate Depth*	Plate Thickness*		Pin Dia* (mm)	
	P	P		R	I	H	t	T	D1	D2
									inch	mm
MTD117C-2in6000lb	2	50.8	6000	31.75	15.24	25.4	4	4	/	10.36
MTD117C-2in6000lb	6	152.4	6000	31.75	15.24	25.4	4	4	/	10.36
MTD118C-3in12000lb	3	76.2	12000	47.63	19.16	38.1	5.1	3.81	/	13.2
MTD118C-4in12000lb	4	101.6	12000	47.63	19.16	38.1	5.1	3.81	/	13.2
MTD119C-4in24000lb	4	101.6	24000	66.7	25.4	50.8	7.1	5.1	/	26.97
MTD119C-6in24000lb	6	152.4	24000	66.7	25.4	50.8	7.1	5.1	/	26.97

Dimensions marked with * are customizable based on your operating conditions.

E-mail: sales@metaldrives.com 004